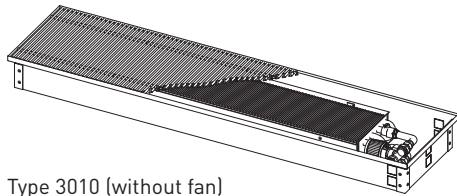
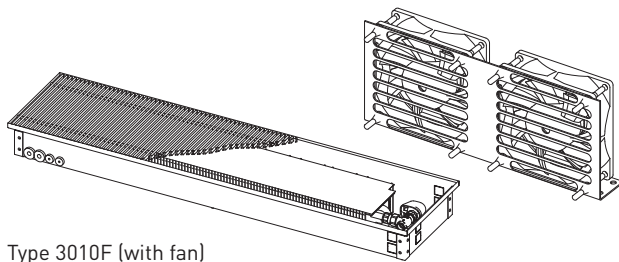




TR - types 3010 + 3010F

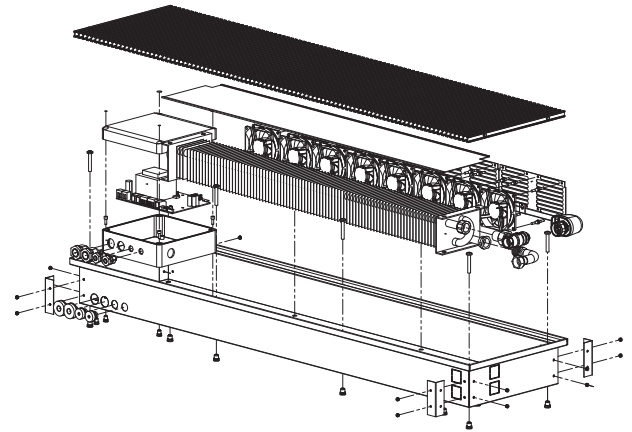


Type 3010 (without fan)



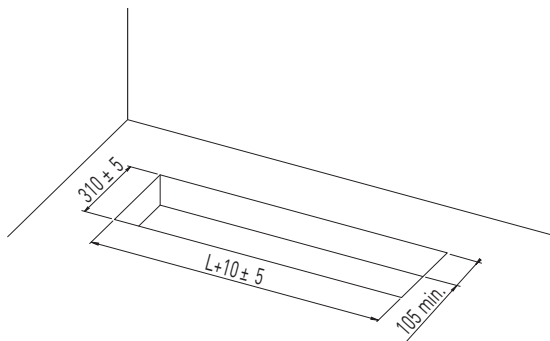
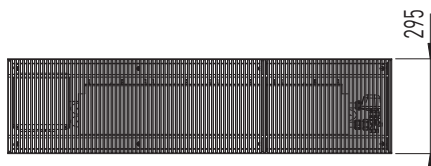
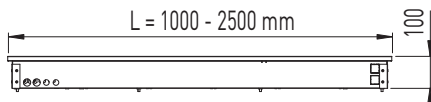
Type 3010F (with fan)

Construction

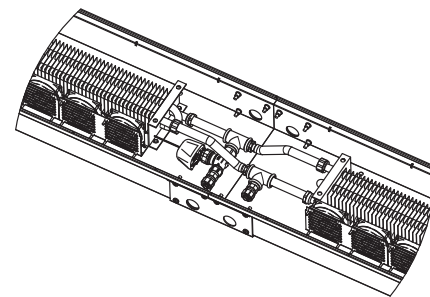


TR - types 3010 + 3010F

Height, length and depth



TR - modular



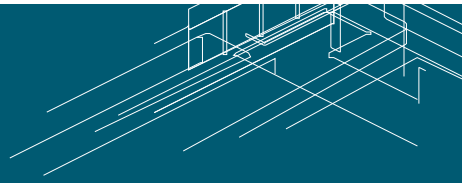
TR modular consists of TR units connected in series.

Used when the total TR length is calculated or designed to be more than 2500 mm.

TR modular is always connected to the heating system at the centre.

Length	1000-2500 mm, in increments of 100 mm
Depth	295 mm
Height	100 mm
Tappings	1/2" standard or 3/8" when CTS control is applied

Mounting	Embedded in concrete or wood Cable not included
Surface treatment	1 mm galvanised steel housing Top grille of anodised aluminium (10 µ)



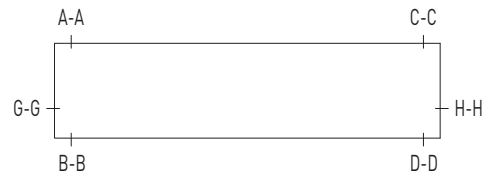
Output

TR	Output type 3010			Output type 3010F		
	Length mm	Watt 75°/65°/20°	Watt 90°/70°/20°	Watt 82°/71°/21°	Watt 75°/65°/20°	Watt 90°/70°/20°
1000	226	295	264	685	820	761
1100	255	333	298	685	820	761
1200	284	370	332	913	1093	1015
1300	313	408	366	913	1093	1015
1400	342	446	400	1141	1366	1269
1500	371	484	434	1141	1366	1269
1600	400	522	468	1369	1639	1523
1700	429	559	502	1369	1639	1523
1800	458	597	536	1597	1912	1777
1900	487	635	570	1597	1912	1777
2000	516	673	603	1826	2186	2030
2100	545	711	637	1826	2186	2030
2200	574	748	671	2054	2459	2284
2300	603	786	705	2054	2459	2284
2400	632	824	739	2282	2732	2538
2500	661	862	773	2282	2732	2538

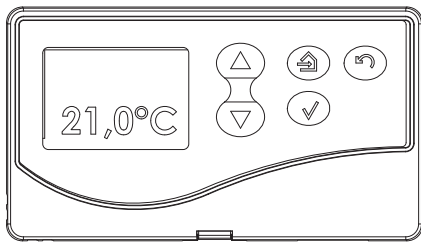
Water content and weight

TR	Water content	Weight
Type	litres/ metre	kg/ metre
3010	1.2	8.9
3010F	0.6	9.7

Tapping designation - types 3010 and 3010F



Standard control



Hudevad TR 3010F is controlled via a control panel which is capable of controlling up to 8 heaters.

- The control panel is supplied with factory settings which make Hudevad TR fully operable as soon as the heating system and electricity supply have been connected.
- The factory settings can be changed as required using the control panel keys and LCD display.
- The controls feature weekly program, night setback and holiday settings.
- A web server is included, allowing the trench heater to be controlled via the Internet.
- Control of fan speed and actuator.
- Rapid control of room temperature.
- Choice of language: Danish, German, English or French.

CTS control

Hudevad TR 3010F with control prepared for CTS systems. Dimensioned for connection to large CTS systems but can also be applied as stand-alone units.

- Control panel/room temperature sensor not included.
- Ready for connection to CTS system via 0-10 VDC control signal.
- Fan speed control via CTS signal. 2 V equals 1% of max. fan speed; 10 V equals 100% fan speed. Output measurements and noise tests have been performed at 40% of max. fan speed.
- Self-adjusting system for water control. Adjustment through a sensor located on the convector return pipe. The return temperature required is set on the control PCB in the convector.
- Can be applied as a stand-alone unit using a room temperature sensor with 0-10 VDC control signal. To be connected directly to the control PCB.